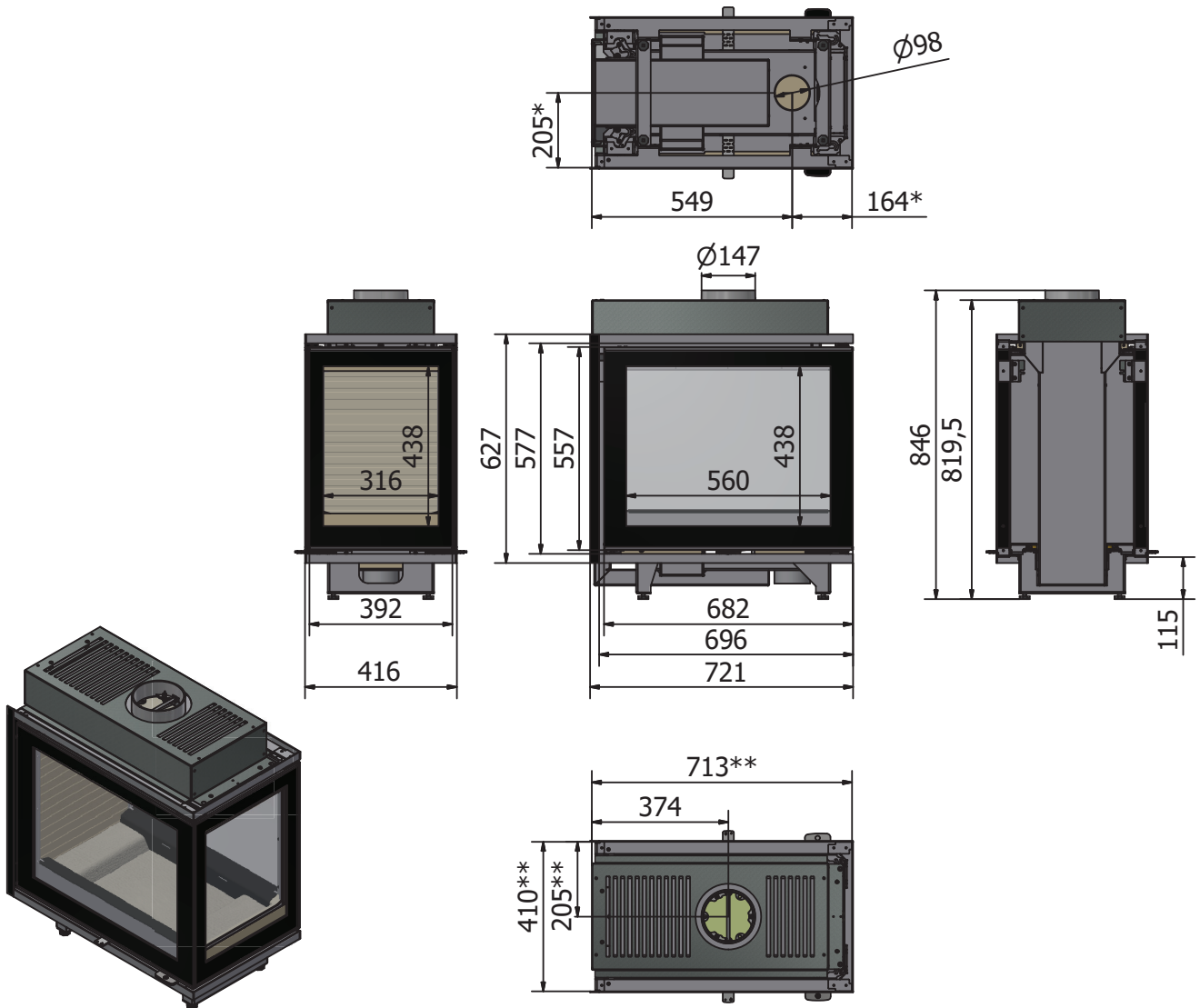


DIMENSIONAL SKETCHES: R600 RD



All dimensions are in mm.

*AirSystem

**Indside measure