

## FIREPLACE INSERTS FROM BRUNNER



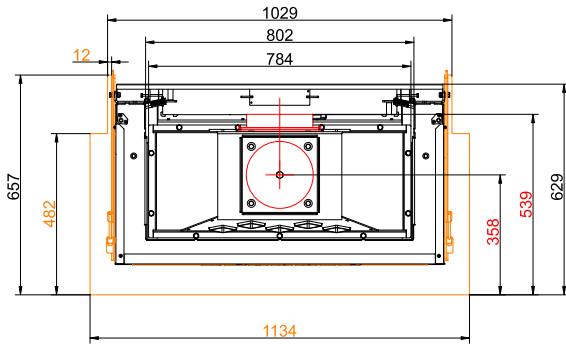
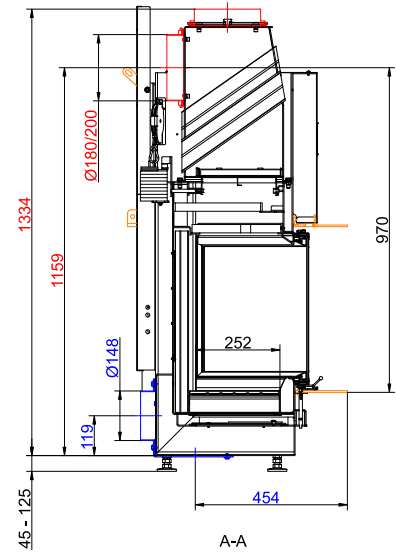
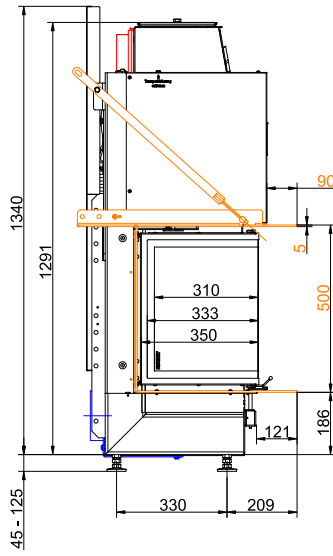
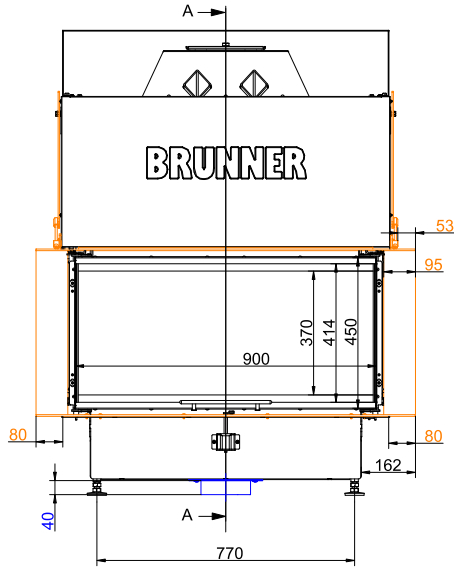
### BKH Panorama 45-35-90-35 green

State: 2025-06-17



**BRUNNER**<sup>®</sup>

# Dimension sheets - BKH Panorama 45-35-90-35 green

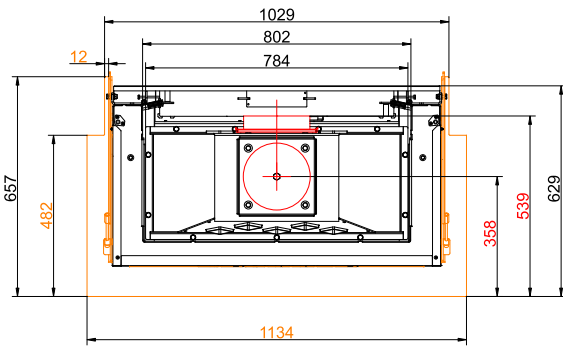
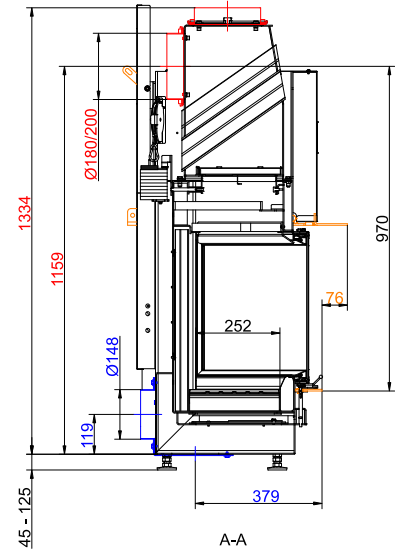
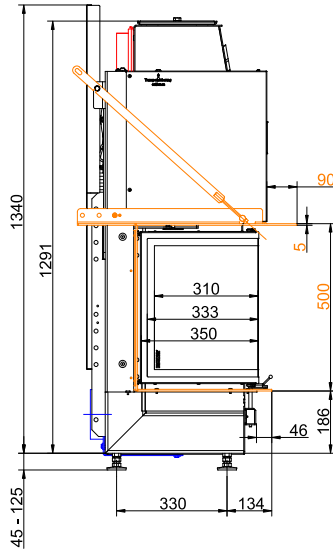
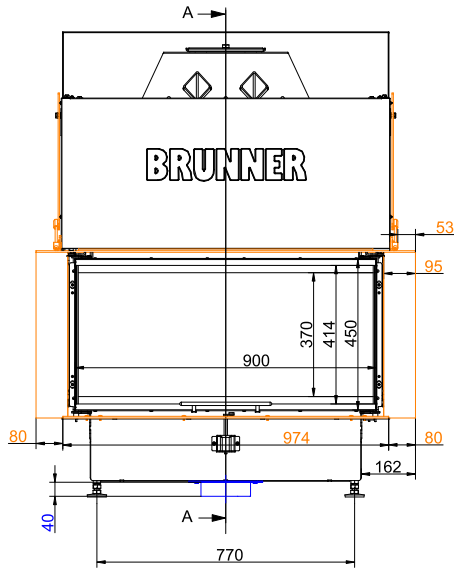


... with steel smoke hood and Feuertisch (wide frame)



... detail wide frame (schematic)

# Dimension sheets - BKH Panorama 45-35-90-35 green

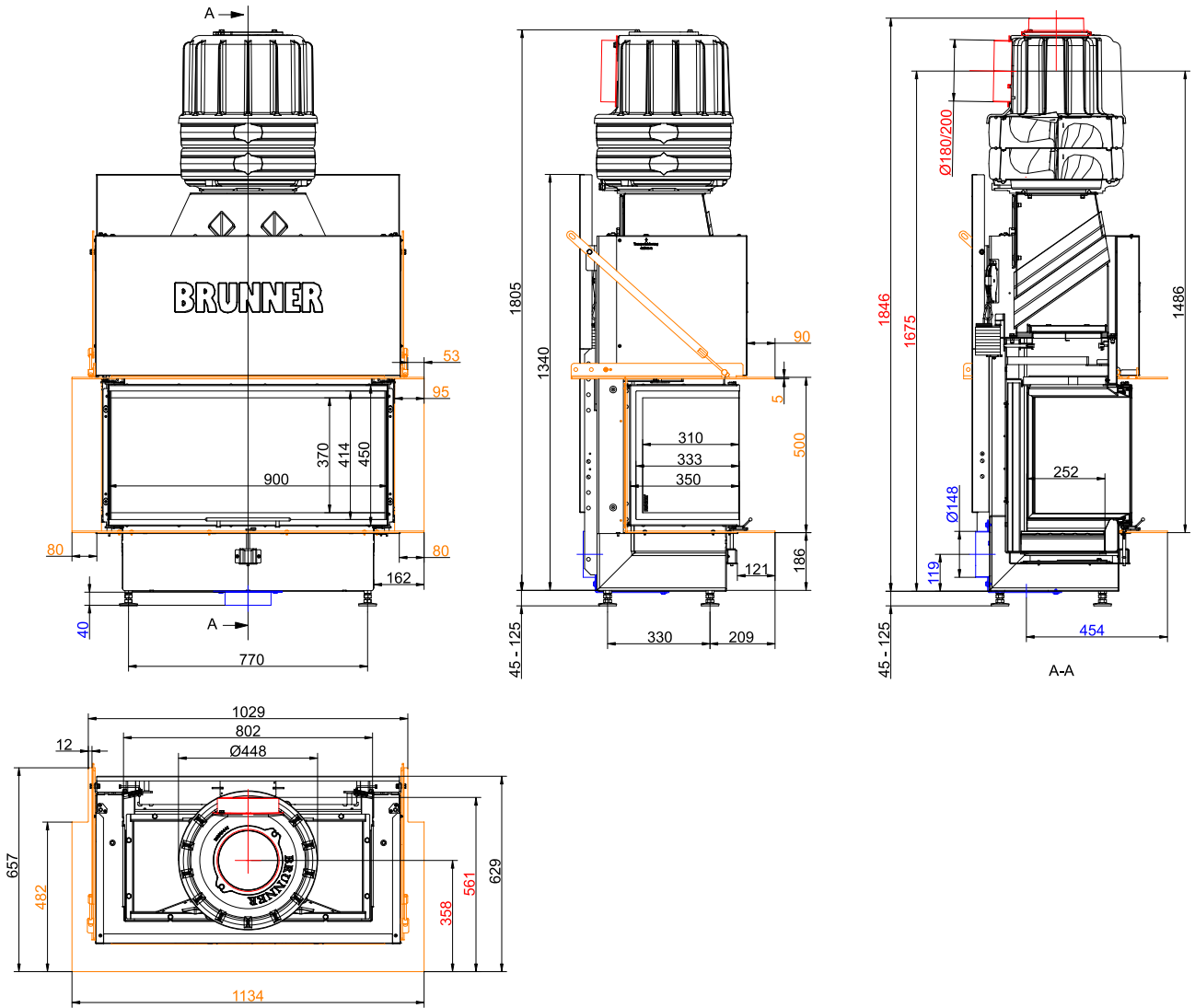


... with steel smoke hood and Mounting bracket

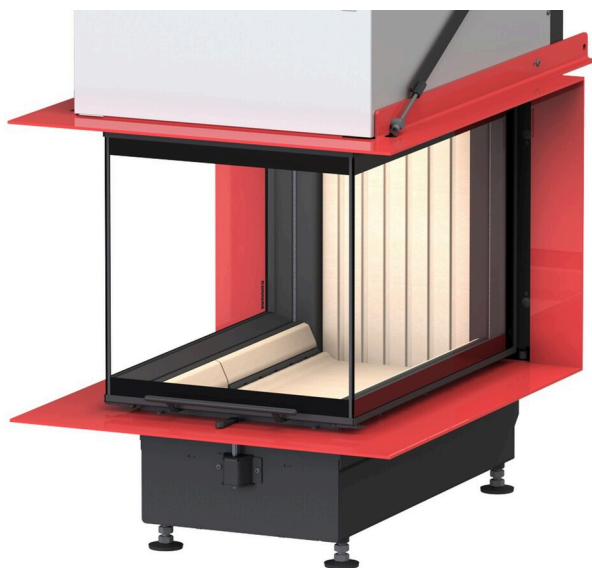


... detail narrow frame (schematic)

# Dimension sheets - BKH Panorama 45-35-90-35 green

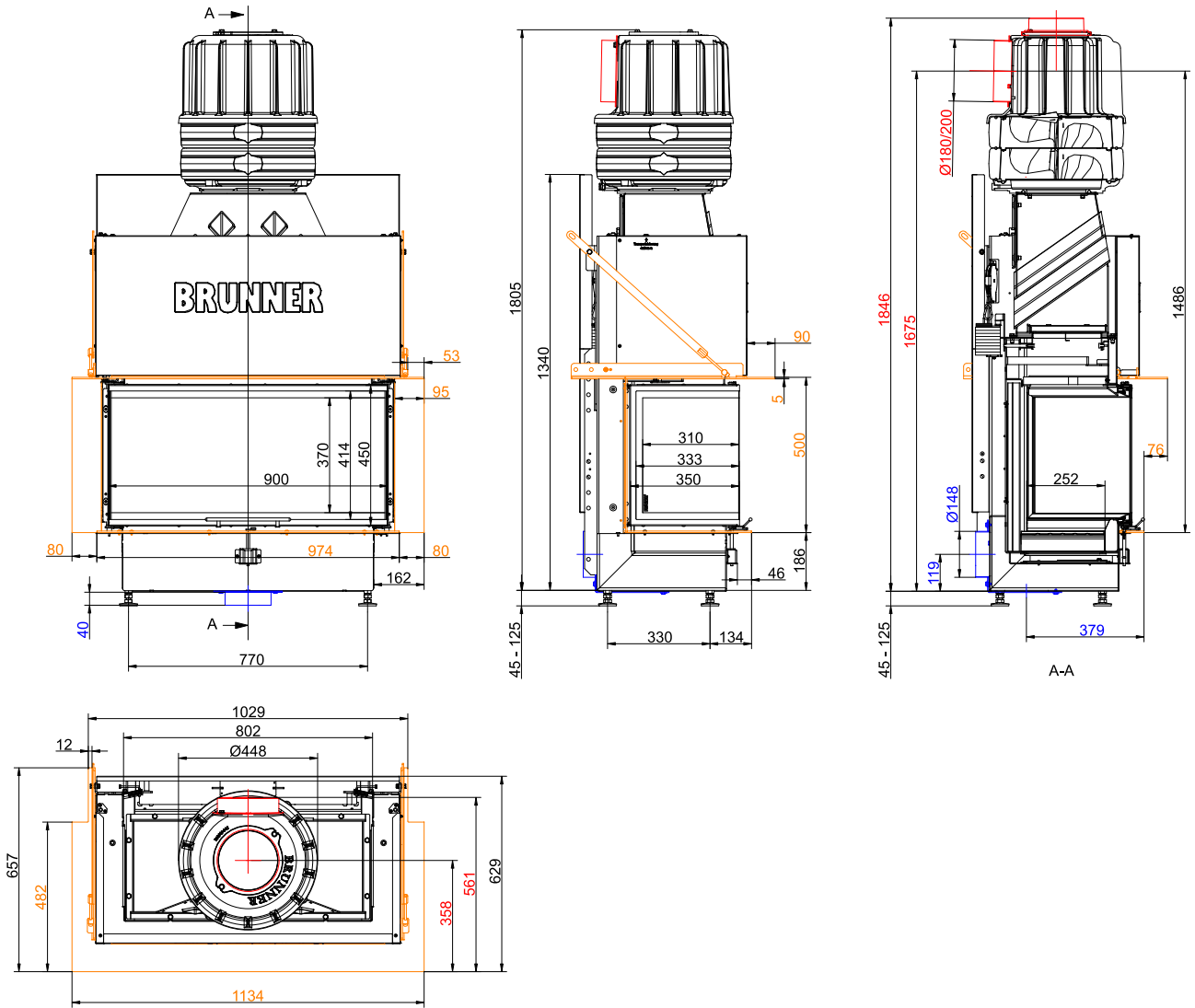


... with steel smoke hood + MAS and Feuertisch (wide frame)



... detail wide frame (schematic)

# Dimension sheets - BKH Panorama 45-35-90-35 green

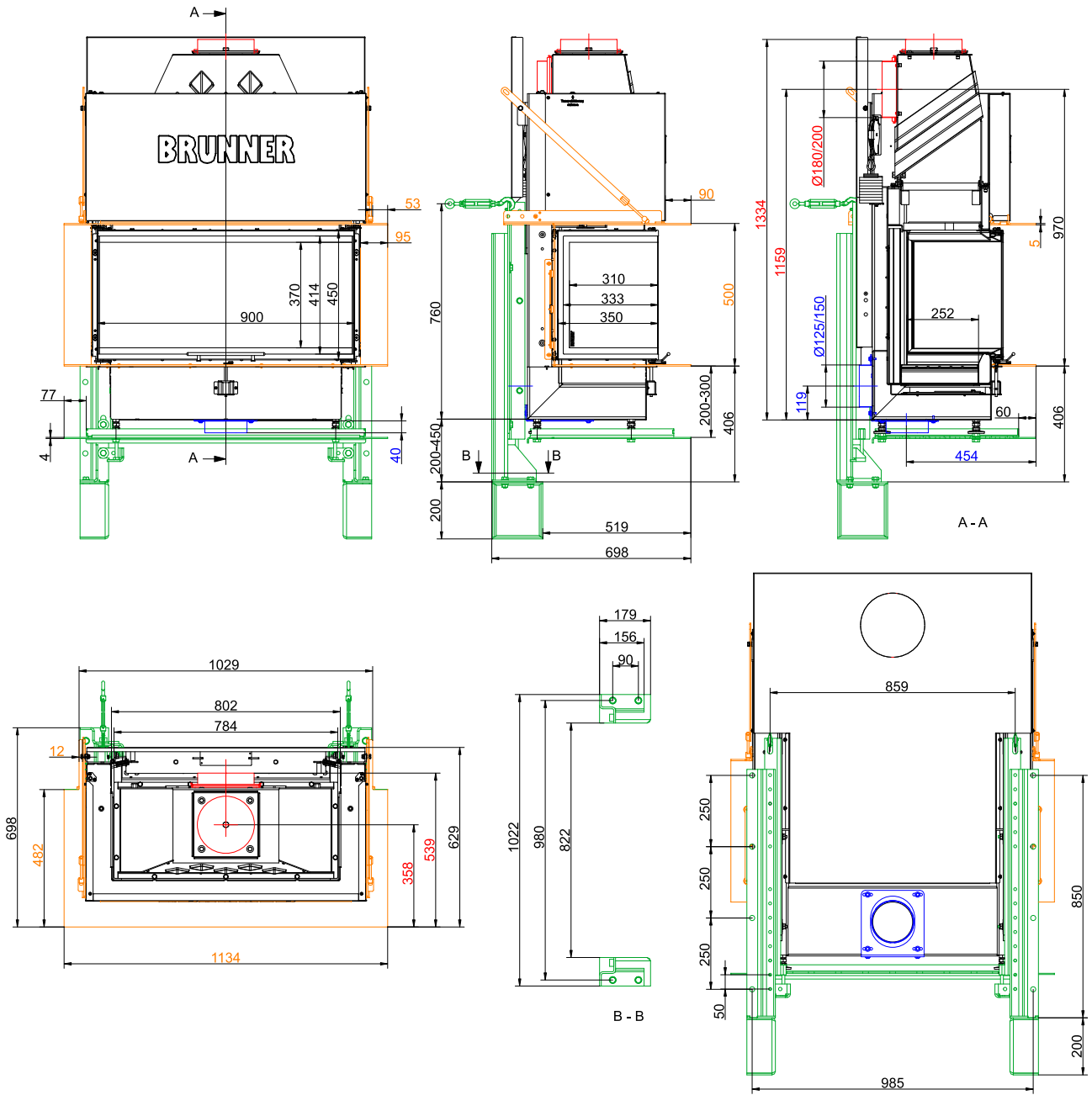


... with steel smoke hood + MAS and Mounting bracket



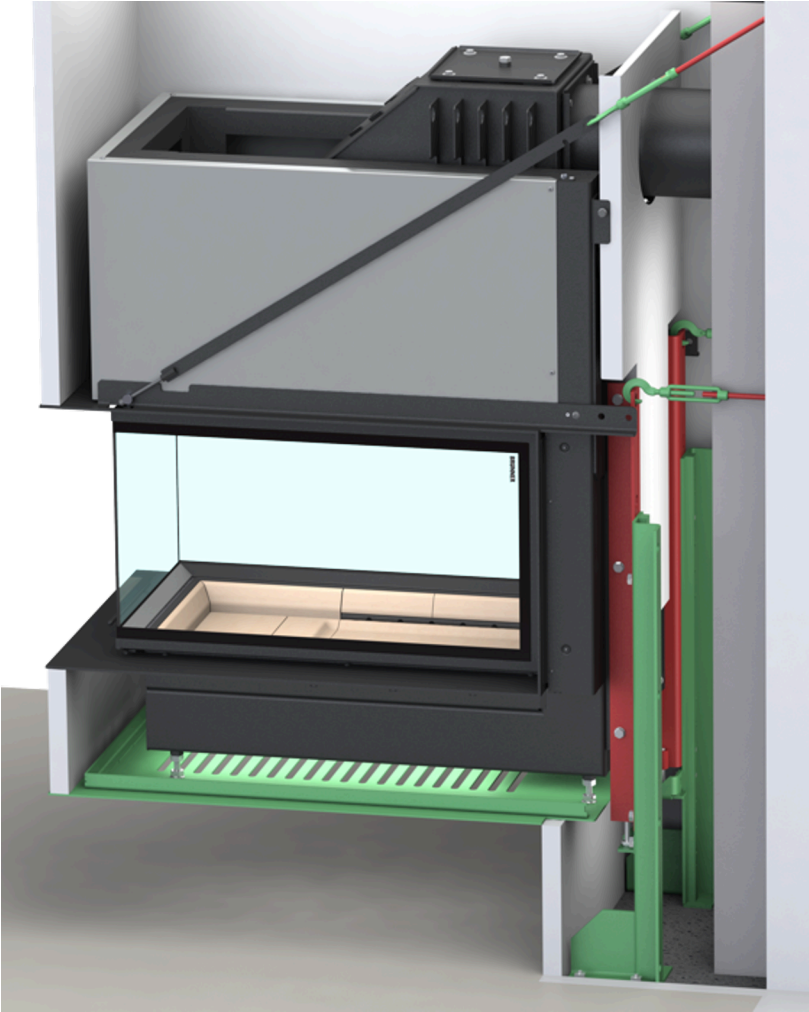
... detail narrow frame (schematic)

# Dimension sheets - BKH Panorama 45-35-90-35 green



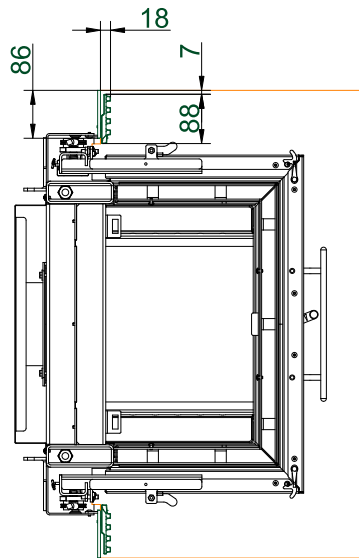
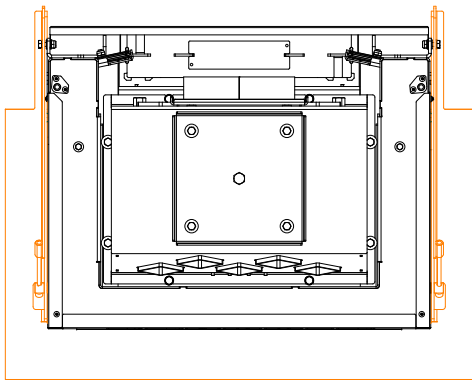
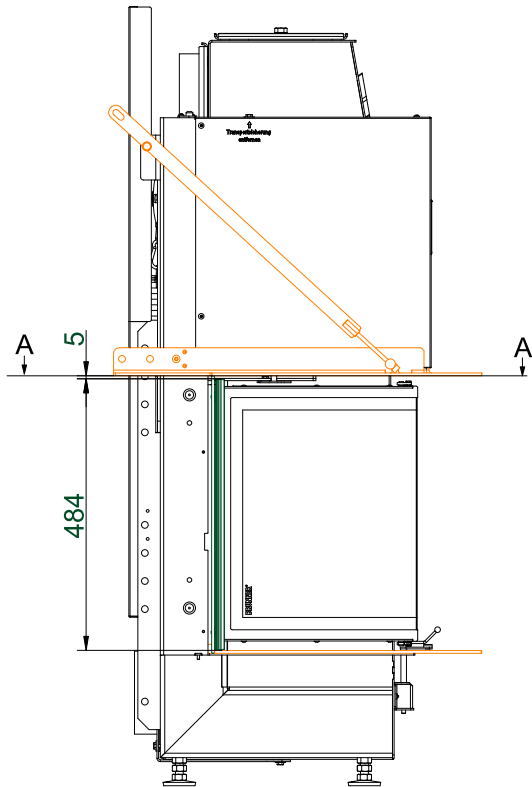
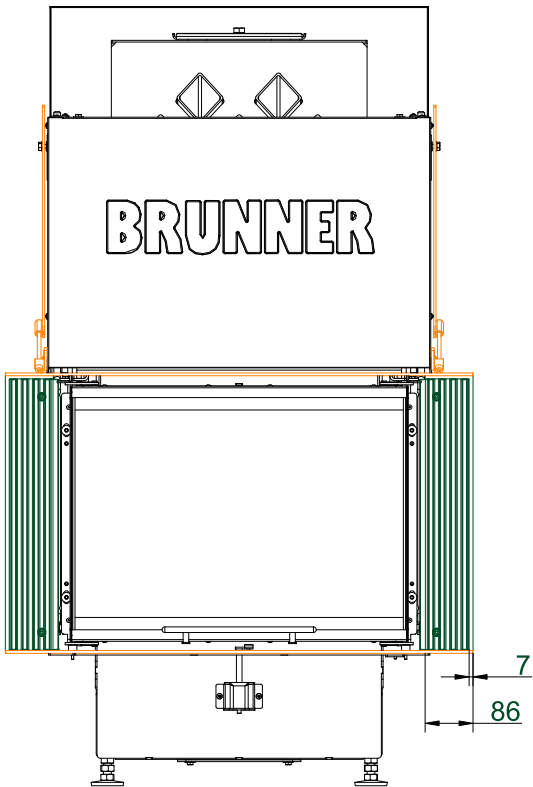
... with support bracket + raising piece for carrier unit 200 mm

**Dimension sheets - BKH Panorama 45-35-90-35 green**

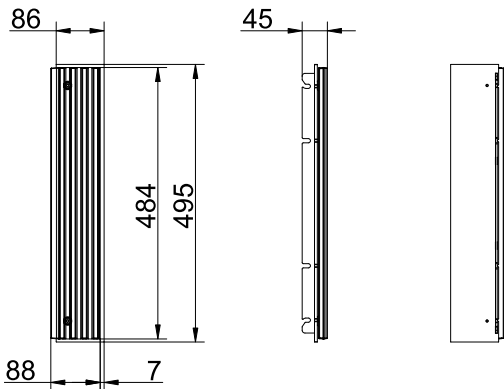


... detail of support bracket without raising piece for carrier unit (schematic)

# Dimension sheets - BKH Panorama 45-35-90-35 green

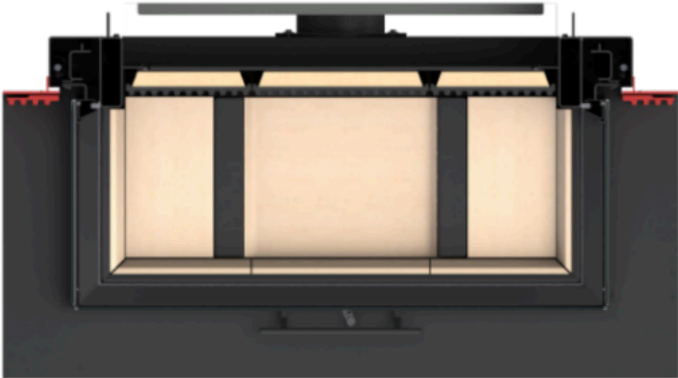
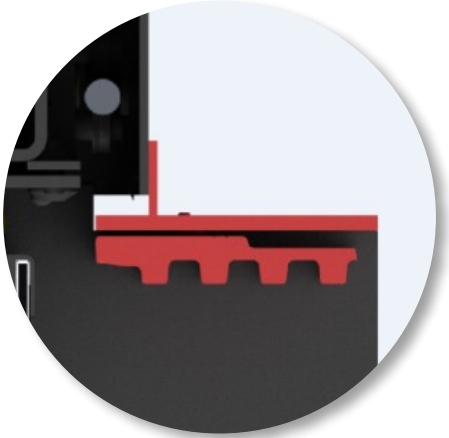


A-A



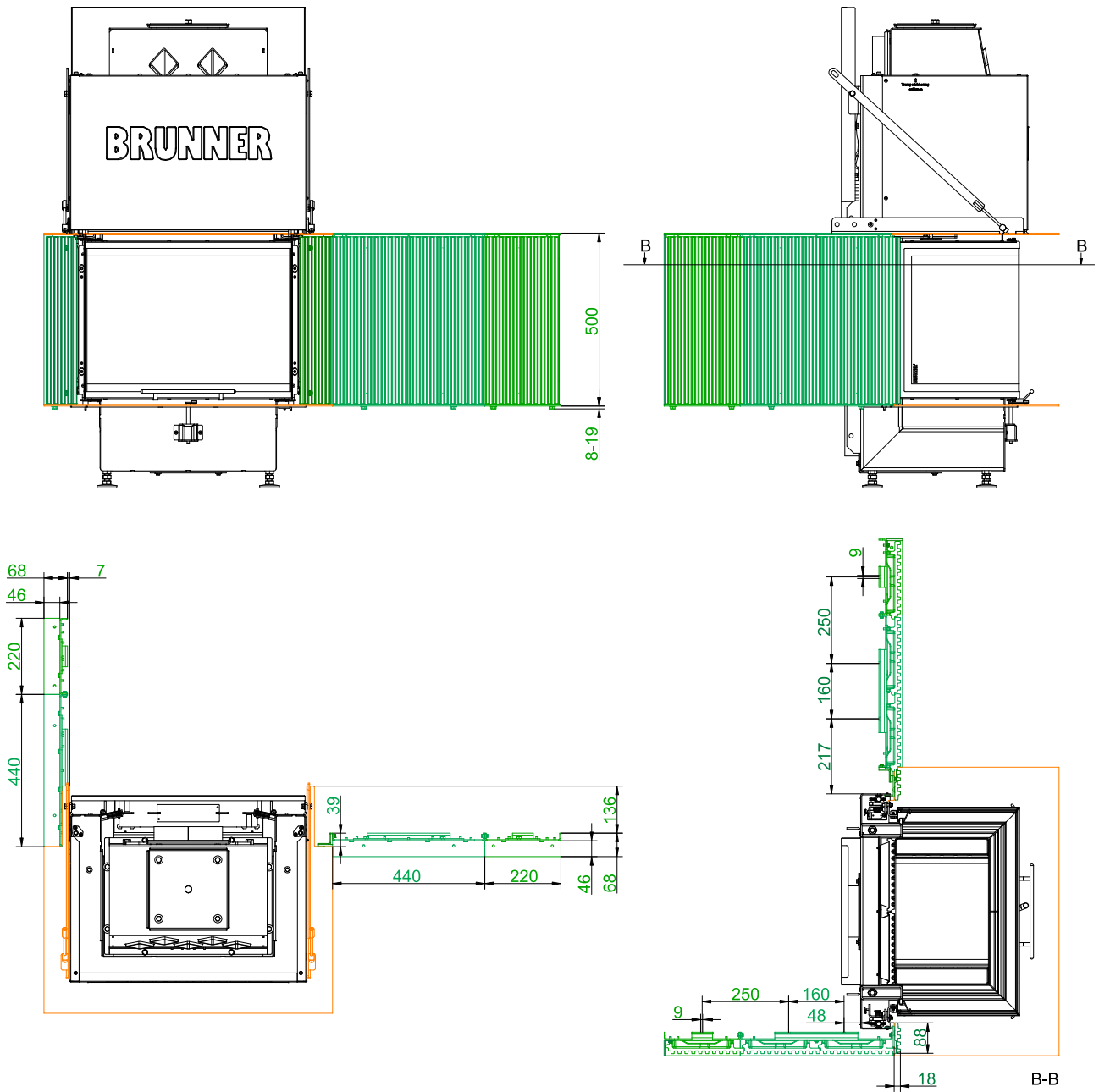
... minimum combustion chamber extension with "start-end" modules (schematic)

**Dimension sheets - BKH Panorama 45-35-90-35 green**



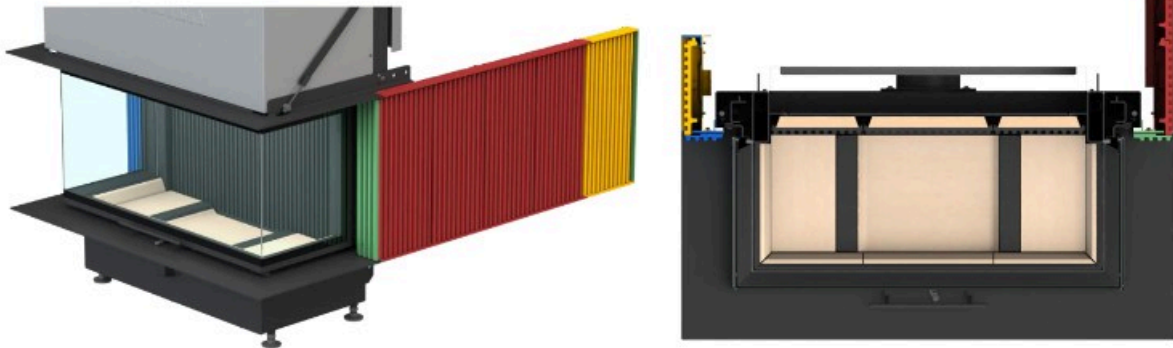
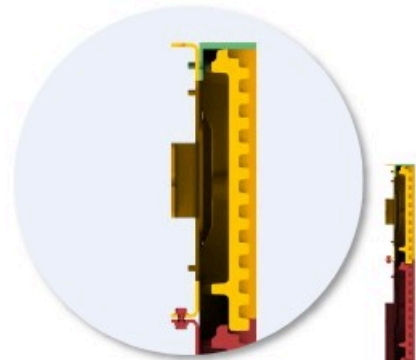
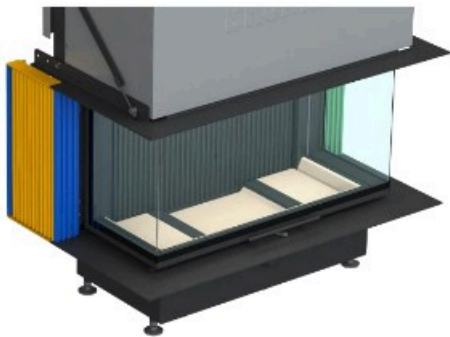
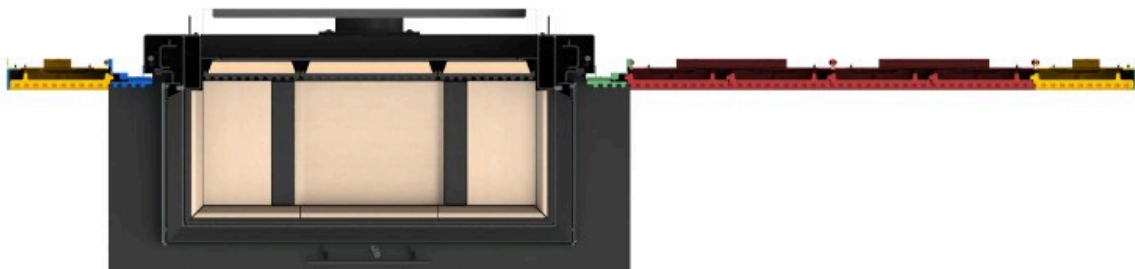
... detail (schematic) modules "start-end" (red)

# Dimension sheets - BKH Panorama 45-35-90-35 green



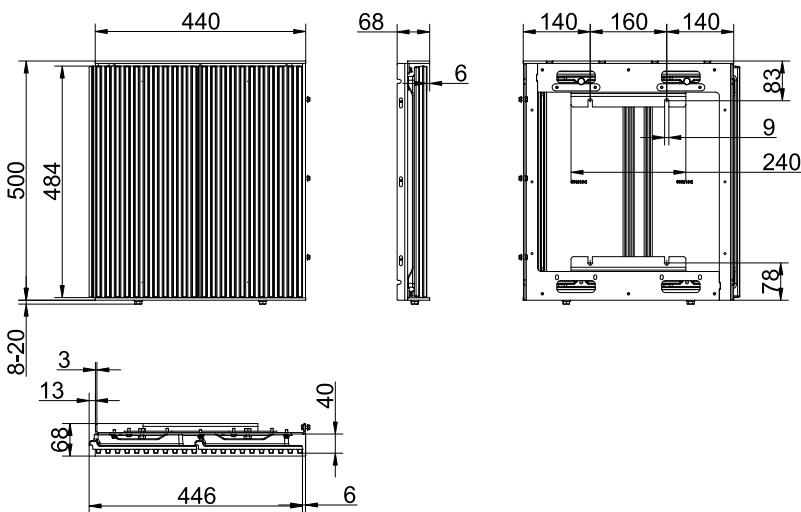
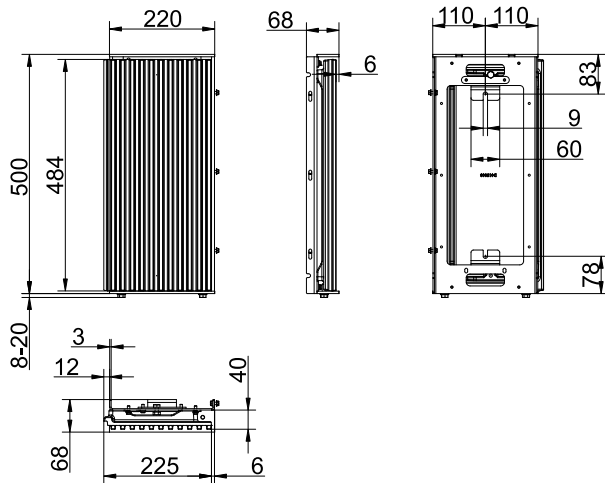
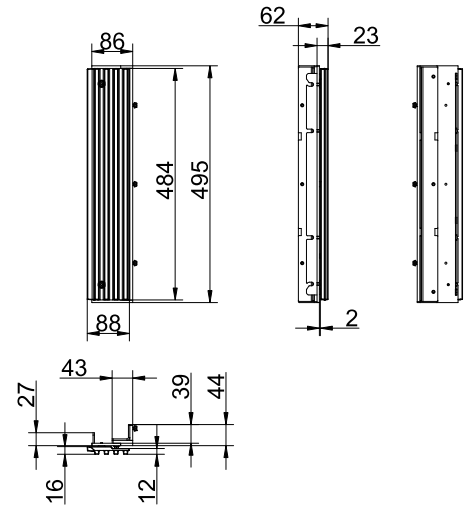
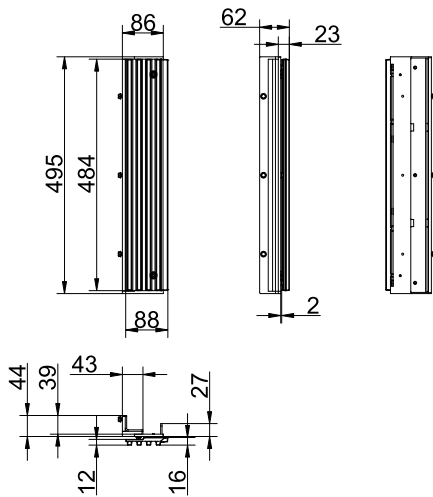
... cast iron firebox extension to the rear / to side with "Start-left" / "Start-right", "2-pieces", "1-piece" modules

# Dimension sheets - BKH Panorama 45-35-90-35 green



... detail (schematic) "Start-left" (blue), "Start-right" (green), "1-piece" (yellow) and "2-piece" (red) modules

# Dimension sheets - BKH Panorama 45-35-90-35 green



... Cast combustion chamber extension: "start-left", "start-right", "1-piece" and "2-piece" modules

We suggest for CAD planning Palette CAD. Permanent updated drawings: [www.brunner.de](http://www.brunner.de)

Frames/ flue gas outlet connection/ combustion air supply connection/ front variants/ support bearing are marked in color.

# Planning and installation - BKH Panorama 45-35-90-35 green

| Tested according to   |                   | EN 13229 W                | EN 13229 WA                     |
|---|-------------------|---------------------------|---------------------------------|
| Values measured at  |                   | Rated power <sup>1)</sup> | Storage operation <sup>2)</sup> |
| <b>Data for functional demonstration</b>  |                   |                           |                                 |
| Rated heat power  | kW                | 11                        | -                               |
| Fire wood volume  | kg/h              | 3.3                       | 4.5                             |
| Combustion performance  | kW                | 13                        | 22                              |
| Flue gas mass flow  | g/s               | 12                        | 19                              |
| Flue gas temperature after:   |                   |                           |                                 |
| steel smoke hood  | °C                | 200                       | 250                             |
| 2 x accumulation rings incl. MAS casted cover <sup>3)</sup>   | °C                | -                         | 180                             |
| Necessary supply pressure   | Pa                | 12                        | 12                              |
| Fuel amount   | kg                | 2.5                       | 5.0                             |
| Combustion air consumption  | m <sup>3</sup> /h | 32                        | 48                              |
| Combustion air connection Ø   | mm                | 125 / 150                 | 125 / 150                       |
| <b>Heat distribution</b>  |                   |                           |                                 |
| Insert / reheating surface  | %                 | 30 / 30                   | 30 / 30                         |
| glass ceramic / glass ceramic coated (GKB)  | %                 | 40 / 30                   | 40 / 30                         |
| <b>Cross-section of gratings <sup>4)</sup></b>  |                   |                           |                                 |
| exhaust warm air  | cm <sup>2</sup>   | 900                       | 900                             |
| Recirculation air   | cm <sup>2</sup>   | 900                       | 900                             |
| <b>Minimal oven surface for closed construction type</b>  |                   |                           |                                 |
| Heat dissipating surface  | m <sup>2</sup>    | 4.5                       | 4.5                             |
| <b>Minimal distances of the fireplace</b>   |                   |                           |                                 |
| Heat protection panel for cladding, insulation layer  | cm                | 3                         | 3                               |
| to cladding, insulation layer   | cm                | 5                         | 5                               |
| to the floor (non-combustible)  | cm                | 3                         | 3                               |
| <b>Fire protection with active rear ventilation, intermediate space</b>   |                   |                           |                                 |
| Minimum insulation thickness for construction : insulation material   5 cm rear active ventilation   wall <sup>5)</sup> |                   |                           |                                 |
| for mounting wall (combustible/non-combustible)   | cm                | 5                         | 5                               |
| Minimum insulation thickness for construction: insulation material   30 cm closed gap   ceiling <sup>6)</sup>           |                   |                           |                                 |
| for ceiling (combustible)   | cm                | 10                        | 10                              |
| <b>Fire protection with adequate insulation material</b>  |                   |                           |                                 |
| Minimum insulation thickness for construction: insulation material   mounting wall, ceiling, floor <sup>6)</sup>        |                   |                           |                                 |
| with heat protection panel, mounting wall (non-combustible) <sup>7)</sup>   | cm                | 6                         | 6                               |
| with heat protection panel, mounting wall (combustible) <sup>7)</sup>   | cm                | 12                        | 12                              |
| Mounting wall (non-combustible)   | cm                | 8                         | 8                               |
| Mounting wall (combustible)   | cm                | 18                        | 18                              |
| Ceiling (non-combustible)   | cm                | 8                         | 8                               |
| Ceiling (combustible)   | cm                | 22                        | 22                              |
| Floor (non-combustible)   | cm                | 0                         | 0                               |
| <b>Minimum distances in front of the combustion chamber, glass ceramic / glass ceramic coated (GKB)</b>                 |                   |                           |                                 |
| for combustible parts   | cm                | ≥ 120 / ≥ 80              | ≥ 120 / ≥ 80                    |
| <b>Weight</b>   |                   |                           |                                 |
| Fireplace insert + combustion chamber inner lining chamotte/cast iron   | kg                | 238 + 66 / 75             |                                 |
| <b>Meets requirement/limit values for:</b>  |                   |                           |                                 |

# Planning and installation - BKH Panorama 45-35-90-35 green

EU / Germany

Ecodesign / 1. BImSchV (Stufe 2)

- 1) Indications on "Nominal output" determined with steel hood  $\varnothing 180$  mm, installed catalytic converter and combustion air connection  $\varnothing 150$  mm
- 2) Information on "Storage operation" for the version with top-mount accumulator MAS.
- 3) Damper flap recommended
- 4) Air cross-sections if the specified nominal heat output is desired as the heat output.
- 5) Fire safety: Values determined with air cross-sections recorded for testing purposes; active rear ventilation, stove shell is heat emitting.  
Insulation thickness 5 cm calcium silicate board (brands: Promasil, Silka, Skamol) and 5 cm active rear ventilation with diagonally positioned air circulation and supply air openings of  $75 \text{ cm}^2$  (5x15 cm) each. For detailed design, see assembly instructions.
- 6) Fire safety: values determined in safety test with air cross-sections recorded for testing purposes; stove shell is heat emitting.  
Information on replacement insulation material with calcium silicate boards (brands: Promasil, Silka, Skamol).  
The specifications for non-combustible walls/ceilings and the structure with a closed gap (30 cm) correspond to the specifications of TROL (Germany), see assembly instructions.
- 7) Heat protection plate: accessory for BKH flat/tunnel/corner versions; factory-fitted for BKH panoramic fireplaces.