

100 ÖKOALPIN LIVING

WOOD STOVE

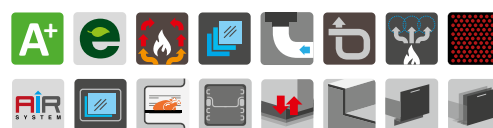
Measurements (W x D x H): 1000 x 600 x 850-910 mm

Nominal heating power: 9 kW

Heating efficiency: 85,1%

Patented adjustable multiple smoke outlet

Available with oven right or left



Optional



PANORAMA
Mouse grey F3



PANORAMA
Grey brown F2
Reinforcement Grey brown
F2 (optional)



PANORAMA
Stainless steel

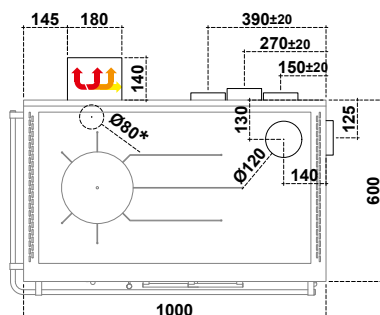


100 ÖKOALPIN LIVING

WOOD STOVE - OVEN ON RIGHT

Technical data (Data may vary depending on type of fuel used)

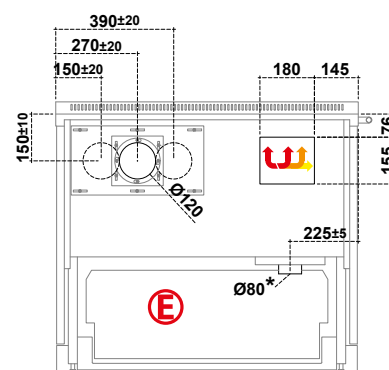
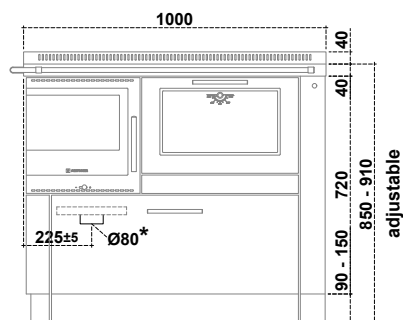
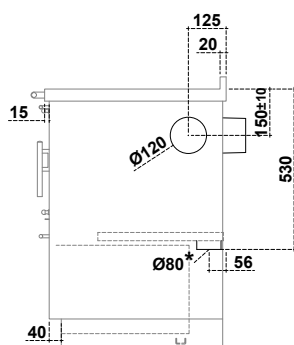
Fuel	Wood
Energy efficiency class	A+
Nominal heating power (P_{nom})	9 kW
Heating efficiency (η_{nom})	85,1 %
Seasonal space heating energy efficiency (η_{s})	75,1 %
Diameter smoke outlet	Ø 120 mm
Minimum draught (p_{nom})	12 Pa / 0,12 mbar
Temperature smoke outlet (T_s nom)	184 °C
Smoke mass	9,0 g/s
CO at 13% O ₂	0,05 %
Weight	230 kg
Possible smoke outlets	5
Test report	C-1004340060001-1 rev.00
Firebox opening (L x H)	298 x 155 mm
Combustion chamber (L x D x H)	260 x 400 x 310 mm
Drawer (L x D x H)	740 x 420 x 290 mm
Oven (L x D x H)	445 x 420 x 265 mm
Hob (L x D)	900 x 500 mm
Diameter external air intake	Ø 80 mm
CO nom (13% O ₂) / NO _x nom (13% O ₂)	593,0 mg/Nm ³ / 88,0 mg/Nm ³
PM nom (13% O ₂) / OGC nom (13% O ₂)	14,0 mg/Nm ³ / 31,0 mg/Nm ³



E

For the version with the oven light (optional), install a Schuko plug either behind the wood drawer at a maximum height of 320 mm from the floor, or at a maximum distance from the kitchen stove of 500 mm

* External air intake



WARNING:

Minimum safety distance from flammable materials

From the rear and side connection to the chimney

$P = 0 + 40^* \text{ mm}$

Following agreement with chimney sweep

* 40mm of insulation with heat conductivity equal to 0.1 W/mK at 200°C

On the side above the plate

$L = 400 \text{ mm}$

On the side below the plate

$L = 3 \text{ mm}$

Above the plate

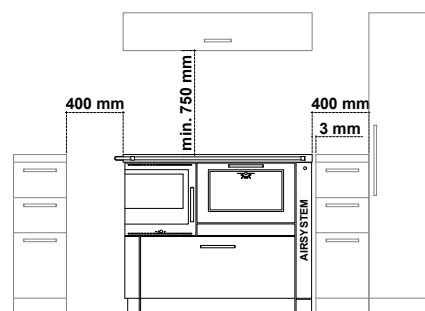
Min. 750 mm

In the front from the middle of the fire door

$R = 250 \text{ mm}$

Plate for floor protection

Based on specific country directives

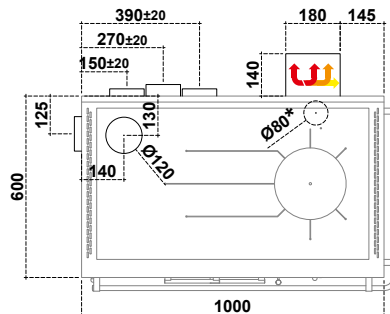


100 ÖKOALPIN LIVING

WOOD STOVE - OVEN ON LEFT

Technical data (Data may vary depending on type of fuel used)

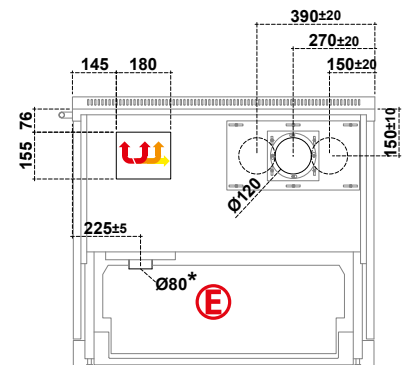
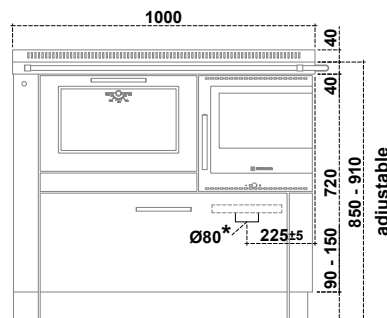
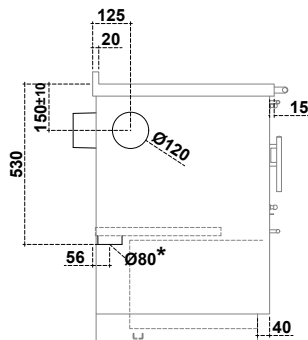
Fuel	Wood
Energy efficiency class	A+
Nominal heating power (P_{nom})	9 kW
Heating efficiency (η_{nom})	85,1 %
Seasonal space heating energy efficiency (η_{s})	75,1 %
Diameter smoke outlet	Ø 120 mm
Minimum draught (p_{nom})	12 Pa / 0,12 mbar
Temperature smoke outlet (T_s nom)	184 °C
Smoke mass	9,0 g/s
CO at 13% O ₂	0,05 %
Weight	230 kg
Possible smoke outlets	5
Test report	C-1004340060001-1 rev.00
Firebox opening (L x H)	298 x 155 mm
Combustion chamber (L x D x H)	260 x 400 x 310 mm
Drawer (L x D x H)	740 x 420 x 290 mm
Oven (L x D x H)	445 x 420 x 265 mm
Hob (L x D)	900 x 500 mm
Diameter external air intake	Ø 80 mm
CO nom (13% O ₂) / NO _x nom (13% O ₂)	593,0 mg/Nm ³ / 88,0 mg/Nm ³
PM nom (13% O ₂) / OGC nom (13% O ₂)	14,0 mg/Nm ³ / 31,0 mg/Nm ³



E

For the version with the oven light (optional), install a Schuko plug either behind the wood drawer at a maximum height of 320 mm from the floor, or at a maximum distance from the kitchen stove of 500 mm

* External air intake



WARNING:

Minimum safety distance from flammable materials

From the rear and side connection to the chimney

$$P = 0 + 40^* \text{ mm}$$

Following agreement with chimney sweep

* 40mm of insulation with heat conductivity equal to 0.1 W/mK at 200°C

On the side above the plate

$$L = 400 \text{ mm}$$

On the side below the plate

$$L = 3 \text{ mm}$$

Above the plate

$$\text{Min. } 750 \text{ mm}$$

In the front from the middle of the fire door

$$R = 250 \text{ mm}$$

Plate for floor protection

Based on specific country directives

