

110 ÖKOALPIN LIVING

WOOD STOVE

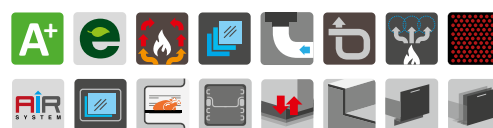
Measurements (W x D x H): 1100 x 600 x 850-910 mm

Nominal heating power: 9 kW

Heating efficiency: 85,1%

Patented adjustable multiple smoke outlet

Available with oven right or left



Optional



PANORAMA
Black F5
Reinforcement Black F5 (optional)



PANORAMA
Stainless steel



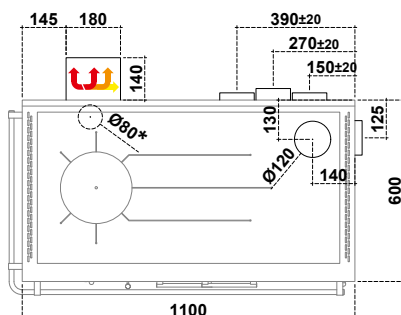
PANORAMA
Anthracite F9

110 ÖKOALPIN LIVING

WOOD STOVE - OVEN ON RIGHT

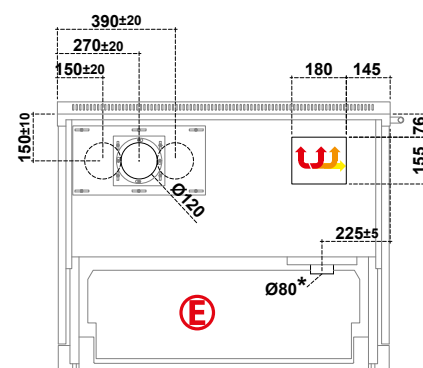
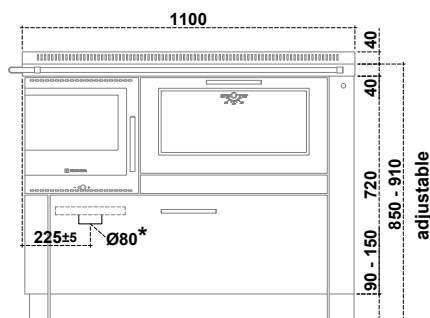
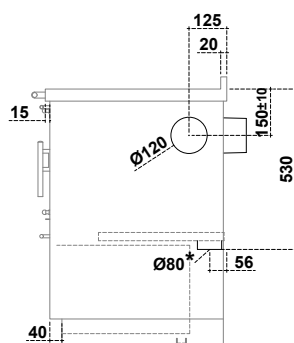
Technical data (Data may vary depending on type of fuel used)

Fuel	Wood
Energy efficiency class	A+
Nominal heating power (P_{nom})	9 kW
Heating efficiency (η_{nom})	85,1 %
Seasonal space heating energy efficiency (η_{s})	75,1 %
Diameter smoke outlet	Ø 120 mm
Minimum draught (p_{nom})	12 Pa / 0,12 mbar
Temperature smoke outlet (T_s nom)	184 °C
Smoke mass	9,0 g/s
CO at 13% O ₂	0,05 %
Weight	230 kg
Possible smoke outlets	5
Test report	C-1004340060001-1 rev.00
Firebox opening (L x H)	298 x 155 mm
Combustion chamber (L x D x H)	260 x 400 x 310 mm
Drawer (L x D x H)	840 x 420 x 290 mm
Oven (L x D x H)	545 x 420 x 265 mm
Hob (L x D)	1000 x 500 mm
Diameter external air intake	Ø 80 mm
CO nom (13% O ₂) / NO _x nom (13% O ₂)	593,0 mg/Nm ³ / 88,0 mg/Nm ³
PM nom (13% O ₂) / OGC nom (13% O ₂)	14,0 mg/Nm ³ / 31,0 mg/Nm ³



For the version with the oven light (optional), install a Schuko plug either behind the wood drawer at a maximum height of 320 mm from the floor, or at a maximum distance from the kitchen stove of 500 mm

* External air intake



WARNING:

Minimum safety distance from flammable materials

From the rear and side connection to the chimney

$P = 0 + 40^* \text{ mm}$

Following agreement with chimney sweep

* 40mm of insulation with heat conductivity equal to 0.1 W/mK at 200°C

On the side above the plate

L = 400 mm

On the side below the plate

L = 3 mm

Above the plate

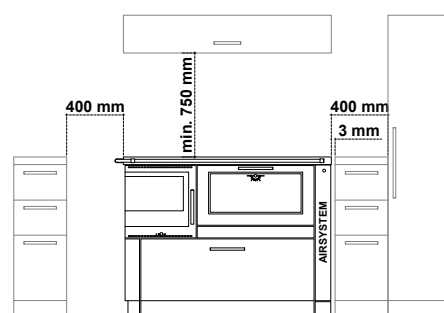
Min. 750 mm

In the front from the middle of the fire door

R = 250 mm

Plate for floor protection

Based on specific country directives

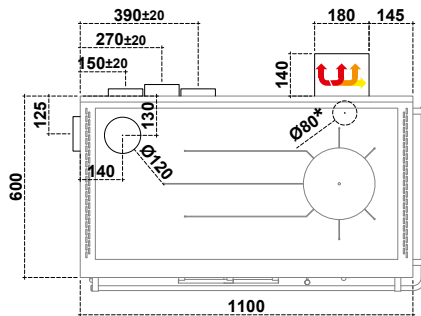


110 ÖKOALPIN LIVING

WOOD STOVE - OVEN ON LEFT

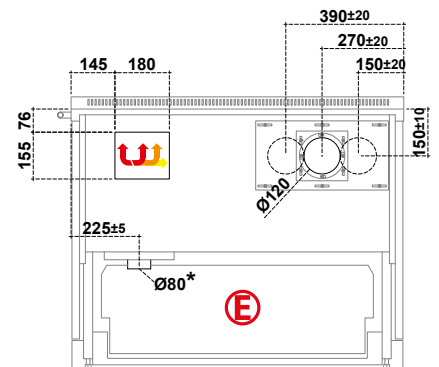
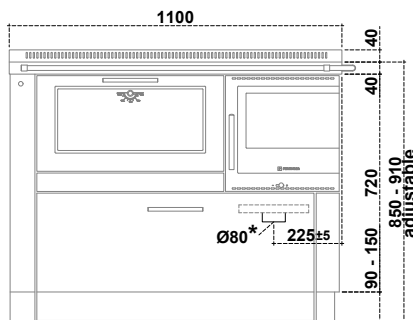
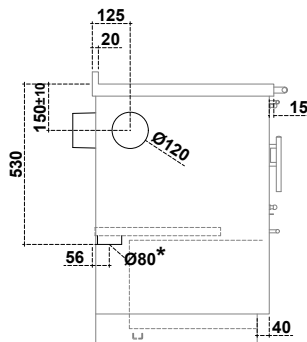
Technical data (Data may vary depending on type of fuel used)

Fuel	Wood
Energy efficiency class	A+
Nominal heating power (P_{nom})	9 kW
Heating efficiency (η_{nom})	85,1 %
Seasonal space heating energy efficiency (η_{s})	75,1 %
Diameter smoke outlet	Ø 120 mm
Minimum draught (p_{nom})	12 Pa / 0,12 mbar
Temperature smoke outlet (T_s_{nom})	184 °C
Smoke mass	9,0 g/s
CO at 13% O ₂	0,05 %
Weight	230 kg
Possible smoke outlets	5
Test report	C-1004340060001-1 rev.00
Firebox opening (L x H)	298 x 155 mm
Combustion chamber (L x D x H)	260 x 400 x 310 mm
Drawer (L x D x H)	840 x 420 x 290 mm
Oven (L x D x H)	545 x 420 x 265 mm
Hob (L x D)	1000 x 500 mm
Diameter external air intake	Ø 80 mm
CO nom (13% O ₂) / NO _x nom (13% O ₂)	593,0 mg/Nm ³ / 88,0 mg/Nm ³
PM nom (13% O ₂) / OGC nom (13% O ₂)	14,0 mg/Nm ³ / 31,0 mg/Nm ³



For the version with the oven light (optional), install a Schuko plug either behind the wood drawer at a maximum height of 320 mm from the floor, or at a maximum distance from the kitchen stove of 500 mm

* External air intake



WARNING:

Minimum safety distance from flammable materials

From the rear and side connection to the chimney

$P = 0 + 40^* \text{ mm}$

Following agreement with chimney sweep

* 40mm of insulation with heat conductivity equal to 0.1 W/mK at 200°C

On the side above the plate

$L = 400 \text{ mm}$

On the side below the plate

$L = 3 \text{ mm}$

Above the plate

$\text{Min. } 750 \text{ mm}$

In the front from the middle of the fire door

$R = 250 \text{ mm}$

Plate for floor protection

Based on specific country directives

