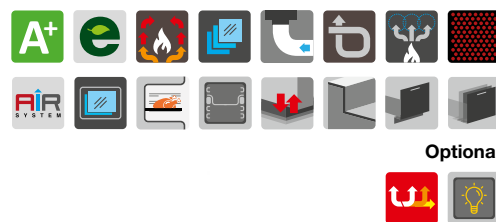


# 90 ÖKOALPIN LIVING

## WOOD STOVE

Measurements (W x D x H): 900 x 600 x 850-910 mm  
Nominal heating power: 9 kW  
Heating efficiency: 85,1%  
Patented adjustable multiple smoke outlet  
Available with oven right or left



PANORAMA  
Natural steel (optional)



PANORAMA  
Stainless steel



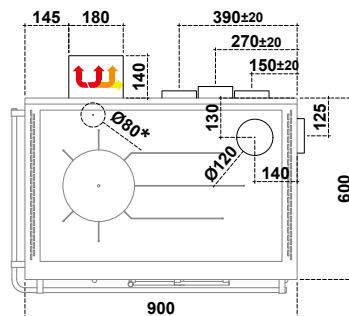
PANORAMA  
Black F5

# 90 ÖKOALPIN LIVING

## WOOD STOVE - OVEN ON RIGHT

### Technical data (Data may vary depending on type of fuel used)

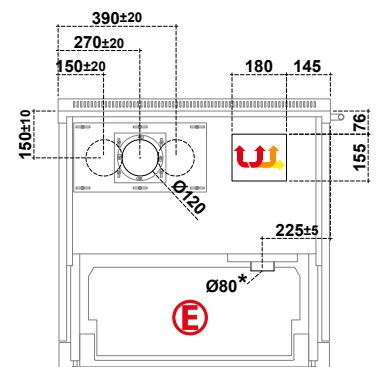
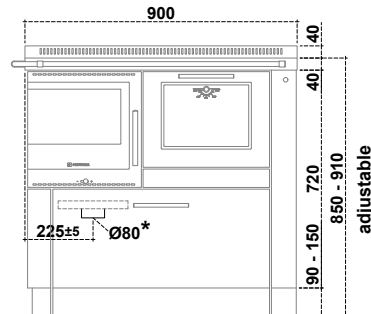
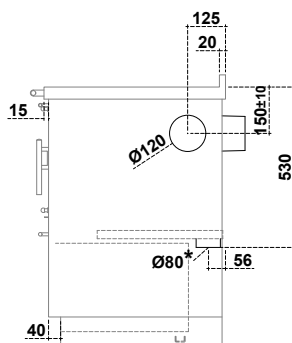
Fuel	Wood
Energy efficiency class	A+
Nominal heating power ( $P_{nom}$ )	9 kW
Heating efficiency ( $\eta_{nom}$ )	85,1 %
Seasonal space heating energy efficiency ( $\eta_s$ )	75,1 %
Diameter smoke outlet	Ø 120 mm
Minimum draught ( $p_{nom}$ )	12 Pa / 0,12 mbar
Temperature smoke outlet ( $T_s$ nom)	201 °C
Smoke mass	8,1 g/s
CO at 13% O <sub>2</sub>	0,04 %
Weight	230 kg
Possible smoke outlets	5
Test report	C-1004340060001-1 rev.00
Firebox opening (L x H)	298 x 155 mm
Combustion chamber (L x D x H)	260 x 400 x 310 mm
Drawer (L x D x H)	640 x 420 x 290 mm
Oven (L x D x H)	345 x 420 x 265 mm
Hob (L x D)	800 x 500 mm
Diameter external air intake	Ø 80 mm
CO nom (13% O <sub>2</sub> ) / NO <sub>x</sub> nom (13% O <sub>2</sub> )	551,0 mg/Nm <sup>3</sup> / 94,0 mg/Nm <sup>3</sup>
PM nom (13% O <sub>2</sub> ) / OGC nom (13% O <sub>2</sub> )	14,0 mg/Nm <sup>3</sup> / 29,0 mg/Nm <sup>3</sup>



**E**

For the version with the oven light (optional), install a Schuko plug either behind the wood drawer at a maximum height of 320 mm from the floor, or at a maximum distance from the kitchen stove of 500 mm

\* External air intake



### WARNING:

#### Minimum safety distance from flammable materials

From the rear and side connection to the chimney

$$P = 0 + 40^* \text{ mm}$$

Following agreement with chimney sweep

\* 40mm of insulation with heat conductivity equal to 0.1 W/mK at 200°C

On the side above the plate

$$L = 400 \text{ mm}$$

On the side below the plate

$$L = 3 \text{ mm}$$

Above the plate

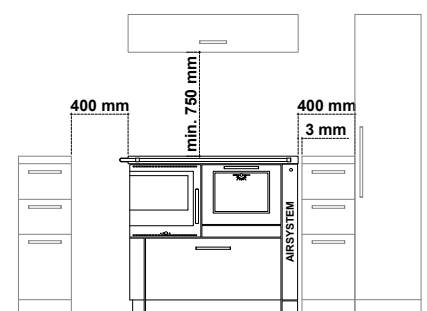
$$\text{Min. } 750 \text{ mm}$$

In the front from the middle of the fire door

$$R = 250 \text{ mm}$$

Plate for floor protection

Based on specific country directives

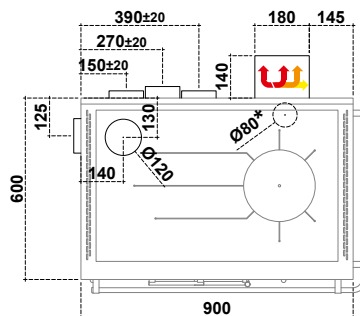


# 90 ÖKOALPIN LIVING

## WOOD STOVE - OVEN ON LEFT

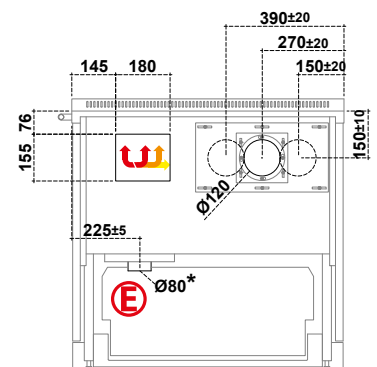
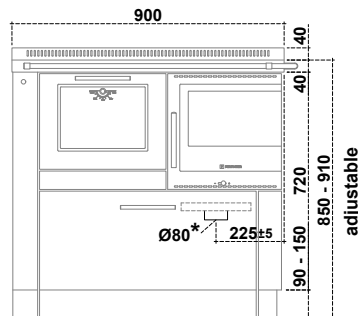
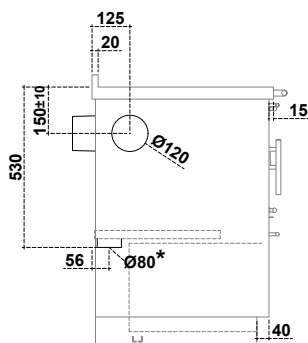
### Technical data (Data may vary depending on type of fuel used)

Fuel	Wood
Energy efficiency class	A+
Nominal heating power (P nom)	9 kW
Heating efficiency (η nom)	85,1 %
Seasonal space heating energy efficiency (η s)	75,1 %
Diameter smoke outlet	Ø 120 mm
Minimum draught (p nom)	12 Pa / 0,12 mbar
Temperature smoke outlet (Ts nom)	201 °C
Smoke mass	8,1 g/s
CO at 13% O <sub>2</sub>	0,04 %
Weight	230 kg
Possible smoke outlets	5
Test report	C-1004340060001-1 rev.00
Firebox opening (L x H)	298 x 155 mm
Combustion chamber (L x D x H)	260 x 400 x 310 mm
Drawer (L x D x H)	640 x 420 x 290 mm
Oven (L x D x H)	345 x 420 x 265 mm
Hob (L x D)	800 x 500 mm
Diameter external air intake	Ø 80 mm
CO nom (13% O <sub>2</sub> ) / NO <sub>x</sub> nom (13% O <sub>2</sub> )	551,0 mg/Nm <sup>3</sup> / 94,0 mg/Nm <sup>3</sup>
PM nom (13% O <sub>2</sub> ) / OGC nom (13% O <sub>2</sub> )	14,0 mg/Nm <sup>3</sup> / 29,0 mg/Nm <sup>3</sup>



For the version with the oven light (optional), install a Schuko plug either behind the wood drawer at a maximum height of 320 mm from the floor, or at a maximum distance from the kitchen stove of 500 mm

\* External air intake



### WARNING:

#### Minimum safety distance from flammable materials

From the rear and side connection to the chimney

$$P = 0 + 40^* \text{ mm}$$

Following agreement with chimney sweep

\* 40mm of insulation with heat conductivity equal to 0.1 W/mK at 200°C

On the side above the plate

$$L = 400 \text{ mm}$$

On the side below the plate

$$L = 3 \text{ mm}$$

Above the plate

$$\text{Min. } 750 \text{ mm}$$

In the front from the middle of the fire door

$$R = 250 \text{ mm}$$

Plate for floor protection

Based on specific country directives

